

TECHNICAL DATA SHEET EMC32, EMC63 & EMC100 WALL MOUNTED MODELS



Description	EMC32-WM	EMC63-WM	EMC100-WM
Input Volts	Nominal input voltage 216V-253V, 50Hz AC	Nominal input voltage 216V-253V, 50Hz AC	Nominal input voltage 216V-253V, 50Hz AC
Optimised Output Volts	-6%, -8%, -10%	-6%, -8%, -10%	-6%, -8%, -10%
Continuous Current Rating	32A 3PH	63A 3PH	100A 3PH
Winding Type	Toroidal	Toroidal	Toroidal
Efficiency	>99.7%	>99.7%	>99.7%
Operating Temperature	-5°C to +40°C	-5°C to +40°C	-5°C to +40°C
Humidity	80% (non-condensing)	80% (non-condensing)	80% (non-condensing)
Dimensions (mm)	720h x 420w x 125d plus 150mm clearance to any two sides	720h x 420w x 125d plus 150mm clearance to any two sides	720h x 420w x 125d plus 150mm clearance to any two sides
Weight	24Kg	39Kg	54Kg
Terminal Capacity	Incoming Live – 35mm Incoming Neutral – 35mm Outgoing Live – 16mm Outgoing Neutral – 16mm Earth – 16mm	Incoming Live – 35mm Incoming Neutral – 35mm Outgoing Live – 35mm Outgoing Neutral – 35mm Earth – 16mm	Incoming Live – 35mm Incoming Neutral – 35mm Outgoing Live – 35mm Outgoing Neutral – 35mm Earth – 16mm
Incoming Terminal Tightening Torques	3.6 Nm	3.6 Nm	3.6 Nm
Outgoing Terminal Tightening Torques	2 – 4 Nm	2 – 3.5 Nm	2.5 – 5 Nm

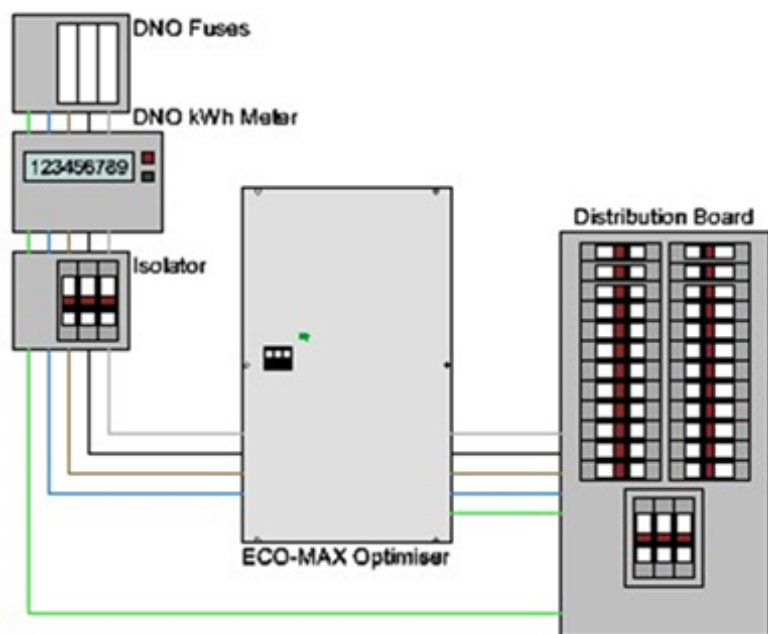
TECHNICAL DATA SHEET cont . . .

EMC32, EMC63 & EMC100 WALL MOUNTED MODELS

Description	EMC32-WM	EMC63-WM	EMC100-WM
Cable Entries	2 x 32mm LHS 2 x 32mm RHS 2 x 32mm Bottom	2 x 32mm LHS 2 x 32mm RHS 2 x 32mm Bottom	2 x 32mm LHS 2 x 32mm RHS 2 x 32mm Bottom
Mounting Orientation	Vertical	Vertical	Vertical
Mounting Fixings	4 x key hole raised feet - 7mm clearance	4 x key hole raised feet - 7mm clearance	4 x key hole raised feet - 7mm clearance
Mains Switch	100A Triple Pole	100A Triple Pole	100A Triple Pole
MCB	32A C Type Triple Pole	63A C Type Triple Pole	N/A
Status Indication	Optimising LED	Optimising LED	Optimising LED
Enclosure	Mild Steel Powder Coated	Mild Steel Powder Coated	Mild Steel Powder Coated
Colour	Cream (RAL 9010)	Cream (RAL 9010)	Cream (RAL 9010)
Ingress Protection	IP31	IP31	IP31
Standards	BSEN61439 Low Voltage Switchgear	BSEN61439 Low Voltage Switchgear	BSEN61439 Low Voltage Switchgear
Guarantee	10 Years	10 Years	10 Years

Typical Connection Arrangement

L1, L2 and L3 phase conductors along with A FULL SIZE load carrying neutral conductor taken through the ECO-MAX optimiser as detailed on diagram below.



We recommend where possible that the existing earthing arrangement to DB is maintained and a separate earth bond be provided to the optimiser from the DB in accordance with BS7671

