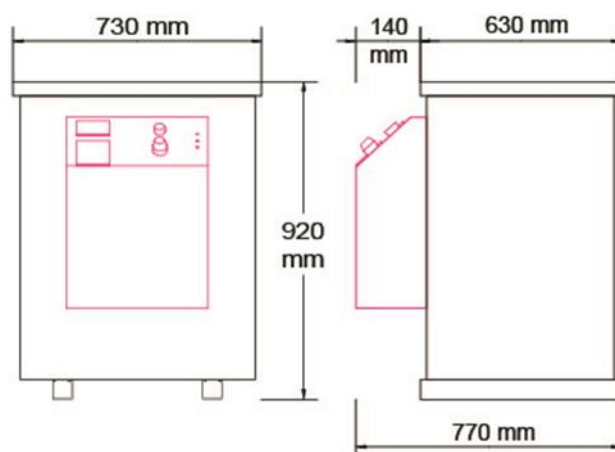


TECHNICAL DATA SHEET EMC400 & EMC400i



COMMERCIAL



Description	EMC400	EMC400i
Input Volts per phase	Nominal input voltage 216V-253V, 50Hz AC	Nominal input voltage 216V-253V, 50Hz AC
Optimised Output Volts	-6%,-7%,-8%,-9%,-10% of input	-6%,-7%,-8%,-9%,-10% of input
Continuous Current Rating	400A 3PH	400A 3PH
Efficiency	>99.7%	>99.7%
Operating Temperature	-5°C to +40°C	-5°C to +40°C
Humidity	80% (non-condensing)	80% (non-condensing)
Dimensions (mm)	920h x 730w x 630d	920h x 730w x 770d
Weight	400Kg	415Kg
Terminal Capacity – On Copper Bus Bars	Incoming Live – 10mm Stud Incoming Neutral – 10mm Stud Outgoing Live – 10mm Stud Outgoing Neutral – 10mm Stud Earth – 10mm Stud	Incoming Live – 10mm Stud Incoming Neutral – 10mm Stud Outgoing Live – 10mm Stud Outgoing Neutral – 10mm Stud Earth – 10mm Stud
Phase Terminal Tightening Torques	30-40 Nm	30-40 Nm
Cable Entries	Front, left & right sides	Front, left & right sides (dependent on control box positioning)
Control Box Positioning	N/A	Front unless otherwise specified, left or right sides as options
True Bypass Switch	Optional Extra	Optional Extra
Mains Switch	Optional Extra	Optional Extra
Frequency	50Hz	50Hz
Status Indication	N/A	Optimising, Inhibit, Over temp LEDs input multifunction meter, output Voltmeter, remote metering & monitoring via PC or smart mobile

TECHNICAL DATA SHEET cont . . .

EMC400 & EMC400i

Description	EMC400	EMC400i
Mounting Fixings	Floor Standing 10mm Hole	Floor Standing 10mm Hole
Enclosure	Mild Steel Powder Coated	Mild Steel Powder Coated
Colour	Grey (RAL 9035)	Grey (RAL 9035)
Ingress Protection	IP31	IP31
Packaging	Palletised	Palletised
Standards	IEC 60076 BSEN61439-2:2011 BS EN 60529 BS EN 61558	IEC 60076 BSEN61439-2:2011 BS EN 60529 BS EN 61558
Guarantee	5 Years	5 Years

Typical Connection Arrangement

L1, L2, L3 and Neutral conductors in and out of the ECO-MAX optimiser as detailed on diagram below.

