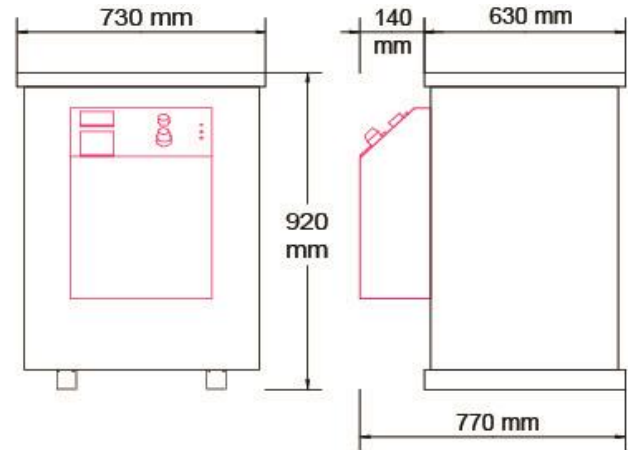


TECHNICAL DATA SHEET EMC250 & EMC250i



COMMERCIAL



Description	EMC250	EMC250i
Input Volts per phase	Nominal input voltage 216V-253V, 50Hz AC	Nominal input voltage 216V-253V, 50Hz AC
Optimised Output Volts	-6%,-7%,-8%,-9% &-10% of input	-6%,-7%,-8%,-9% &-10% of input
Continuous Current Rating	250A 3PH	250A 3PH
Efficiency	>99.7%	>99.7%
Operating Temperature	-5°C to +40°C	-5°C to +40°C
Humidity	80% (non-condensing)	80% (non-condensing)
Dimensions (mm)	920h x 730w x 630d	920h x 730w x 770d
Weight	250Kg	265Kg
Terminal Capacity	Incoming Live – 10mm Box Incoming Neutral – 10mm Box Outgoing Live – 10mm Box Outgoing Neutral – 10mm Box Earth – 10mm Stud	Incoming Live – 10mm Box Incoming Neutral – 10mm Box Outgoing Live – 10mm Box Outgoing Neutral – 10mm Box Earth – 10mm Stud
Phase Terminal Tightening Torques	0.8 -1.2 Nm	0.8 -1.2 Nm
Cable Entries	Front, left & right sides	Front, left & right sides (dependent on control box positioning)
Control Box Positioning	N/A	Front unless otherwise specified, left or right sides as options
True Bypass Switch	Optional Extra	Optional Extra
Mains Switch	Optional Extra	Optional Extra
Frequency	50Hz	50Hz
Status Indication	N/A	Optimising, Inhibit, Over temp LEDs input multifunction meter, output Voltmeter, remote metering & monitoring via PC or smart mobile

TECHNICAL DATA SHEET cont . . .

EMC250 & EMC250i

Description	EMC250	EMC250i
Mounting Fixings	Floor Standing 10mm Hole	Floor Standing 10mm Hole
Enclosure	Mild Steel Powder Coated	Mild Steel Powder Coated
Colour	Grey (RAL 9035)	Grey (RAL 9035)
Ingress Protection	IP31	IP31
Packaging	Palletised	Palletised
Standards	IEC 60076 BSEN61439-2:2011 BS EN 60529 BS EN 61558	IEC 60076 BSEN61439-2:2011 BS EN 60529 BS EN 61558
Guarantee	5 Years	5 Years

Typical Connection Arrangement

L1, L2, L3 and Neutral conductors in and out of the ECO-MAX optimiser as detailed on diagram below.

