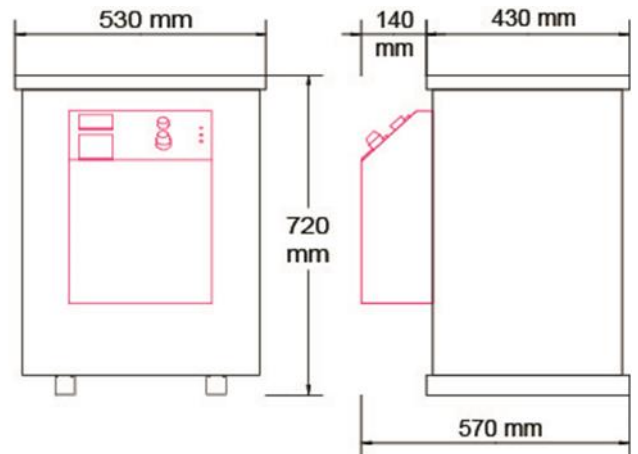


TECHNICAL DATA SHEET EMC200 & EMC200i



COMMERCIAL



Description	EMC200	EMC200i
Input Volts	Nominal input voltage 216V-253V, 50Hz AC	Nominal input voltage 216V-253V, 50Hz AC
Optimised Output Volts	-6%,-7%,-8%,-9%,-10% of input	-6%,-7%,-8%,-9%-10% of input
Continuous Current Rating	200A 3PH	200A 3PH
Efficiency	>99.7%	>99.7%
Operating Temperature	-5°C to +40°C	-5°C to +40°C
Humidity	80% (non-condensing)	80% (non-condensing)
Dimensions (mm)	720h x 530w x 430d	720h x 530w x 570d
Weight	200Kg	215Kg
Terminal Capacity	Box Terminals with 6mm Hex Skt Incoming Live – 95mm Box Incoming Neutral – 95mm Box Outgoing Live – 95mm Box Outgoing Neutral – 95mm Box Earth – 12mm Stud	Box Terminals with 6mm Hex Skt Incoming Live – 95mm Box Incoming Neutral – 95mm Box Outgoing Live – 95mm Box Outgoing Neutral – 95mm Box Earth – 12mm Stud
Phase Terminal Tightening Torques	0.8 – 1.2 Nm	0.8 – 1.2 Nm
Cable Entries	Front, left & right sides	Front, left & right sides (dependent on control box positioning)
Control Box Positioning	N/A	Front unless otherwise specified, left or right sides as options
True Bypass Switch	Optional Extra	Optional Extra
Frequency	50Hz	50Hz
Status Indication	N/A	Optimising, Inhibit, Over temp LEDs input multifunction meter, output Voltmeter, remote metering & monitoring via PC or smart mobile

TECHNICAL DATA SHEET cont . . .

EMC200 & EMC200i

Description	EMC200	EMC200i
Audible Alarm	N/A	Yes
Mounting Fixings	Floor Standing 10mm Hole	Floor Standing 10mm Hole
Enclosure	Mild Steel Powder Coated	Mild Steel Powder Coated
Colour	Grey (RAL 9035)	Grey (RAL 9035)
Ingress Protection	IP31	IP31
Packaging	Palletised	Palletised
Standards	BSEN61439 Low Voltage Switchgear	BSEN61439 Low Voltage Switchgear
Guarantee	5 Years	5 Years

Typical Connection Arrangement

L1, L2 and L3 phase conductors along with A FULL SIZE load carrying neutral conductor taken through the ECO-MAX optimiser as detailed on diagram below.

