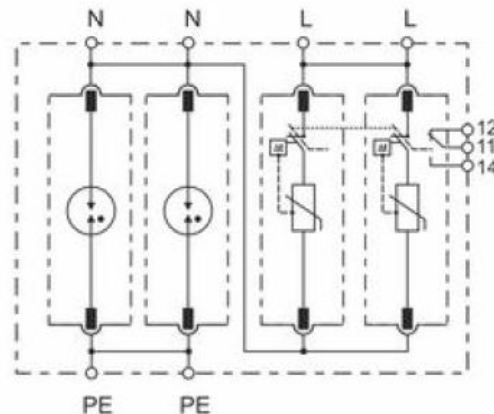
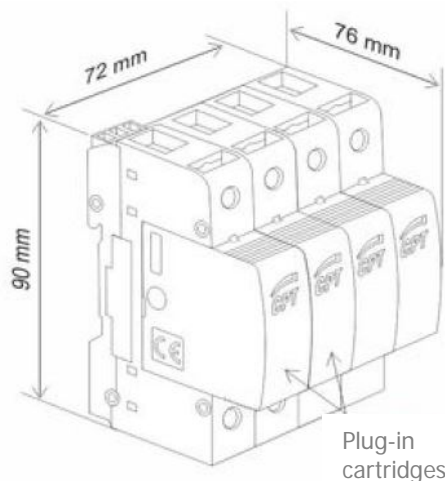


# LIGHTNING & SURGE PROTECTION LSA 2P 25



Internal configuration

## General Information

Internal configuration	1P + N
No. poles	2
No. DIN rail modules	4
Installation	(L-N-PE)
Format	Pluggable
Certifications	CE
Designation according to EN 61643-11	Type 1 & 2
Designation according to IEC 61643-11	Class I & II
Insulating material & flammability class	PA66 CT1; V-0
Temperature range	-40°C ... +80°C

## Technical Features

Supply Voltage	[V]	230 / 400
Nominal voltage AC 50-60 Hz (L-N)	$U_N$ [V]	230
Maximum continuous operating voltage (L-N)	$U_C$ [V]	275
Maximum continuous operating voltage (N-PE)	$U_C$ [V]	255
Lightning impulse current (10/350) (L-N)	$I_{imp}$ [kA]	25
Lightning impulse current (10/350) (N-PE)	$I_{imp}$ [kA]	50
Maximum discharge current (8/20) (L-N)	$I_{max}$ [kA]	100
Maximum discharge current (8/20) (N-PE)	$I_{max}$ [kA]	100
Nominal discharge current (8/20) (L-N)	$I_n$ [kA]	25

Nominal discharge current (8/20) (N-PE)	$I_n$ [kA]	50
Voltage protection level (L-N) at $I_n$	$U_p$ [kV]	$\geq 1,5$
Voltage protection level (N-PE) at $I_n$	$U_p$ [kV]	$\geq 1,5$
Maximum back-up fuse	A [gL]	125
Short circuit withstand	$I_{scsr}$ [kA]	25
Response time (L-N)	$t_A$ [ns]	25
Response time (N-PE)	$t_A$ [ns]	100
Following current (N-PE)	$I_{fi}$ [A]	100
Remote indication		Yes
End of life indication		Yes
Dynamic thermal disconnection (L-N)		Yes

### Wiring of connection circuit

Torque	[Nm]	4
Rigid Flexible wire	[mm]	10
Min. rigid conductor section	[mm <sup>2</sup> ]	6
Max. rigid conductor section	[mm <sup>2</sup> ]	35
Flexible bare wire	[mm]	10
Min. flexible cable section	[mm <sup>2</sup> ]	6
Max. flexible conductor section	[mm <sup>2</sup> ]	25