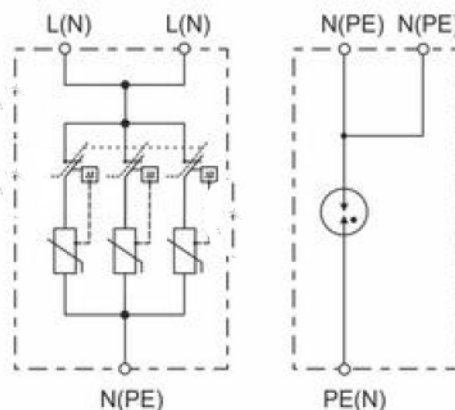
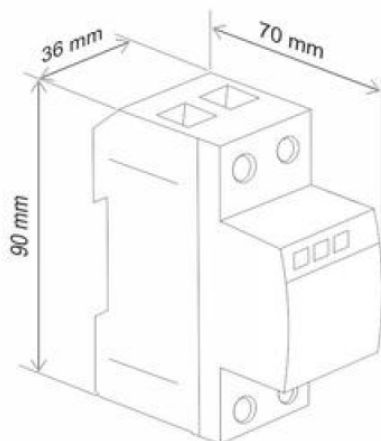


LIGHTNING & SURGE PROTECTION LSA 2P 15



Internal configuration

NOTE- 2x 2 module devices required for LSA 2P 15

General Information

Internal configuration	1P
No. poles	2
No. DIN rail modules	4
Installation	(L-N)
Format	Monobloc
Certifications	CE
Designation according to EN 61643-11	Type 1 & 2
Designation according to IEC 61643-11	Class I & II
Insulating material & flammability class	PC+GF; V-0
Temperature range	-40°C ... +80°C

Technical Features

Supply Voltage	[V]	230 / 400
Nominal voltage AC 50-60 Hz (L-N)	U_N [V]	230
Maximum continuous operating voltage (L-N)	U_C [V]	275
Lightning impulse current (10/350) (L-N)	I_{imp} [kA]	15
Maximum discharge current (8/20) (L-N)	I_{max} [kA]	100
Nominal discharge current (8/20) (L-N)	I_n [kA]	30
Voltage protection level (L-N) at I_n	U_p [kV]	$\geq 1,3$
Maximum back-up fuse	A [gL]	125

Short circuit withstand	$I_{sc} [kA]$	25
Response time (L-N)	$t_A [ns]$	25
Remote indication		No
End of life indication		Yes
Dynamic thermal disconnection (L-N)		Yes

Wiring of connection circuit

Torgue	$[N_m]$	4
Rigid Flexible wire	$[mm]$	10
Min. rigid conductor section	$[mm^2]$	6
Max. rigid conductor section	$[mm^2]$	35
Flexible bare wire	$[mm]$	10
Min. flexible cable section	$[mm^2]$	6
Max. flexible conductor section	$[mm^2]$	25

Wiring Diagram(s)

