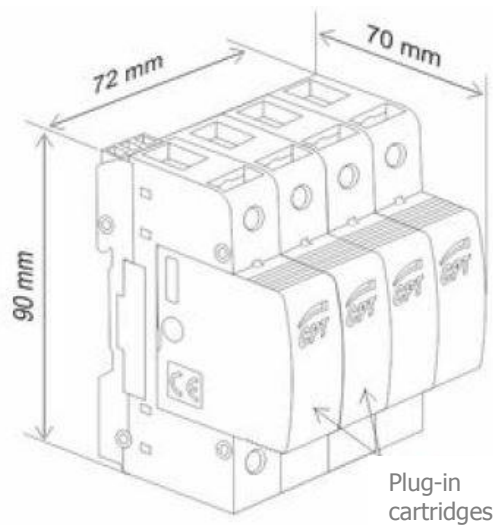


SURGE PROTECTION SA 4P 40



General Information

Internal configuration	4P
No. poles	4
No. DIN rail modules	4
Installation	(L1-L2-L3-N-PE)
Format	Pluggable
Certifications	CE; ÖVE
Designation according to EN 61643-11	Type 2
Designation according to IEC 61643-11	Class II
Insulating material & flammability class	PA66 CT1; V-O
Temperature range	-40°C ... +80°C

Technical Features

Supply Voltage	[V]	230 / 400
Nominal voltage AC 50-60 Hz (L-N)	U_N [V]	230
Nominal voltage AC 50-60 Hz (L-L)	U_N [V]	400
Maximum continuous operating voltage (L-PE)	U_C [V]	275
Maximum discharge current (8/20) (L-PE)	I_{max} [kA]	40
Nominal discharge current (8/20) (L-PE)	I_n [kA]	20
Voltage protection level (L-PE) at I_n	U_p [kV]	$\geq 1,3$
Maximum back-up fuse	A [gL]	125
Short circuit withstand	I_{scrr} [kA]	25

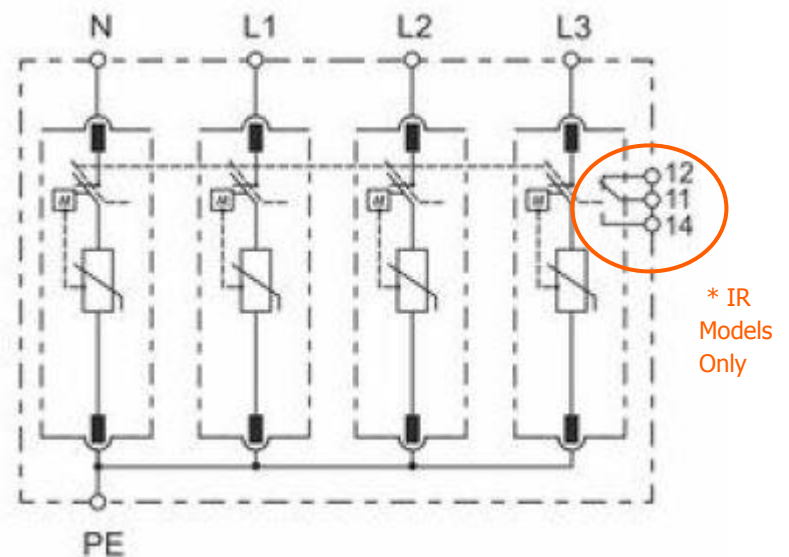
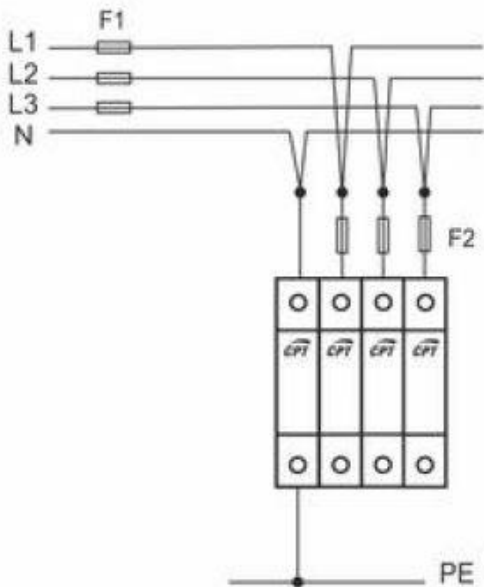
SURGE PROTECTION SA 4P 40

Response time (L-PE)	t_A [ns]	25
Remote indication		No
End of life indication		Yes
Dynamic thermal disconnection (L-PE)		Yes

Wiring of connection circuit

Torgue	[Nm]	4
Rigid Flexible wire	[mm]	10
Min. rigid conductor section	[mm ²]	6
Max. rigid conductor section	[mm ²]	35
Flexible bare wire	[mm]	10
Min. flexible cable section	[mm ²]	6
Max. flexible conductor section	[mm ²]	25

Wiring Diagram(s)



Internal configuration

* Remote monitoring by volt free contact is available on request. Add 'IR' to end of standard part code