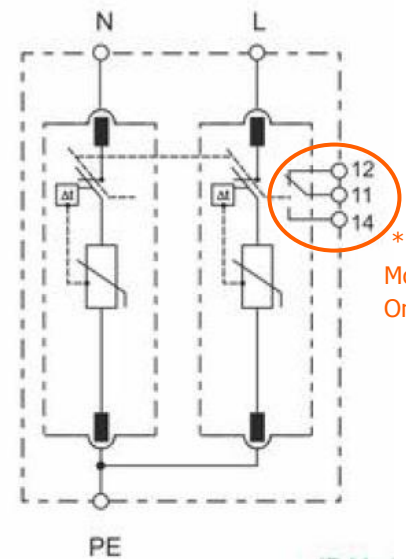
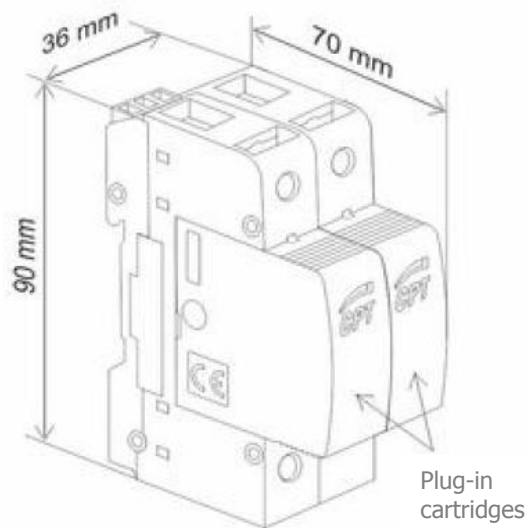


# SURGE PROTECTION SA 2P 40



**Internal configuration**

\* Remote monitoring by volt free contact is available on request. Add 'IR' to end of standard part code

## General Information

Internal configuration	2P
No. poles	2
No. DIN rail modules	2
Installation	(L-N-PE); (L1-L2-PE)
Format	Pluggable
Certifications	CE; RCM; ÖVE
Designation according to EN 61643-11	Type 2
Designation according to IEC 61643-11	Class II
Insulating material & flammability class	PA66 CT1; V-0
Temperature range	-40°C ... +80°C

## Technical Features

Supply Voltage	[V]	230 / 400
Nominal voltage AC 50-60 Hz (L-N)	$U_N$ [V]	230
Nominal voltage AC 50-60 Hz (L-L)	$U_N$ [V]	400
Maximum continuous operating voltage (L-PE)	$U_C$ [V]	275
Maximum discharge current (8/20) (L-PE)	$I_{max}$ [kA]	40
Nominal discharge current (8/20) (L-PE)	$I_n$ [kA]	20
Voltage protection level (L-PE) at $I_n$	$U_p$ [kV]	$\geq 1,3$

# SURGE PROTECTION SA 2P 40

Maximum back-up fuse	A [gL]	125
Short circuit withstand	$I_{sc cr}$ [kA]	25
Response time (L-PE)	$t_A$ [ns]	25
Remote indication		No
End of life indication		Yes
Dynamic thermal disconnection (L-PE)		Yes

## Wiring of connection circuit

Torque	[Nm]	4
Rigid Flexible wire	[mm]	10
Min. rigid conductor section	[mm <sup>2</sup> ]	6
Max. rigid conductor section	[mm <sup>2</sup> ]	35
Flexible bare wire	[mm]	10
Min. flexible cable section	[mm <sup>2</sup> ]	6
Max. flexible conductor section	[mm <sup>2</sup> ]	25

## Wiring Diagram(s)

