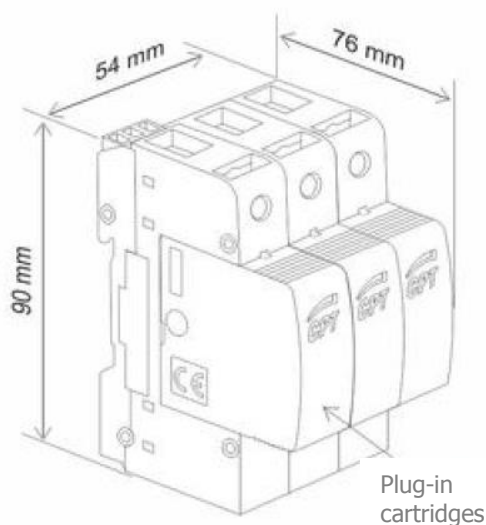


LIGHTNING & SURGE PROTECTION LSA DC 12.5



General Information

Internal configuration	Y
No. poles	3
No. DIN rail modules	3
Installation	(L+/L-)
Format	Pluggable
Certifications	CE
Designation according to EN 61643-11	Type 1 & 2
Designation according to IEC 61643-11	Class I & II
Insulating material & flammability class	PA66 CT1; V-0
Temperature range	-40°C ... +80°C

Technical Features

Open circuit voltage DC	U_{oc} [Vdc]	1000
Supply Voltage	[Vdc]	1000
Maximum continuous operating voltage (L-L)	U_c [V]	1170
Lightning impulse current (10/350) (L-L)	I_{imp} [kA]	12,5
Maximum discharge current (8/20) (L-L)	I_{max} [kA]	65
Nominal discharge current (8/20) (L-L)	I_n [kA]	20
Voltage protection level (L-L) at I_n	U_p [kV]	$\geq 3,6$
Maximum back-up fuse	A [gLPV]	10
Short circuit withstand	$I_{sc cr}$ [kA]	25
Response time (L-L)	t_A [ns]	25

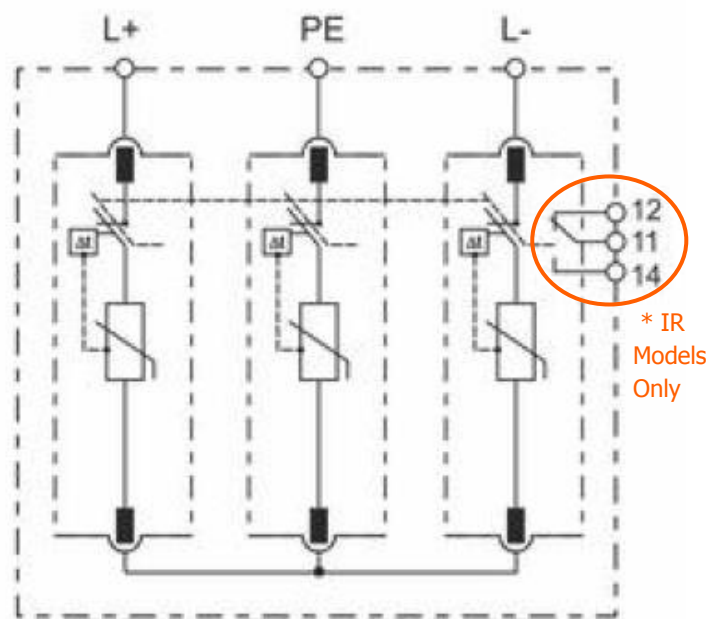
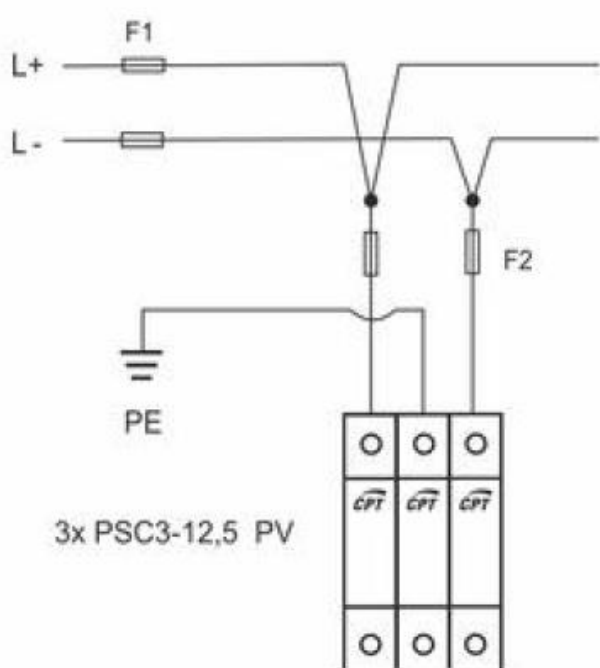
LIGHTNING & SURGE PROTECTION LSA DC 12.5

Remote indication	No
End of life indication	Yes
Dynamic thermal disconnection (L-N)	Yes

Wiring of connection circuit

Torque	[Nm]	4
Rigid Flexible wire	[mm]	10
Min. rigid conductor section	[mm ²]	6
Max. rigid conductor section	[mm ²]	35
Flexible bare wire	[mm]	10
Min. flexible cable section	[mm ²]	6
Max. flexible conductor section	[mm ²]	25

Wiring diagram



Internal configuration

* Remote monitoring by volt free contact is available on request. Add 'IR' to end of standard part code