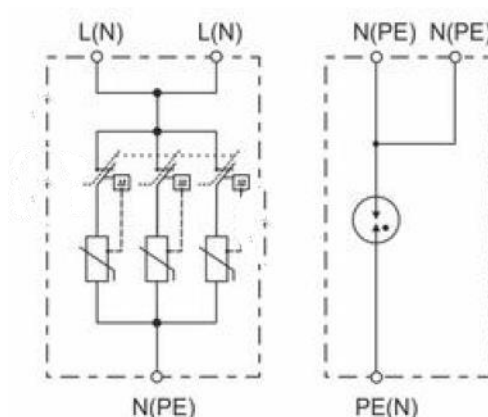
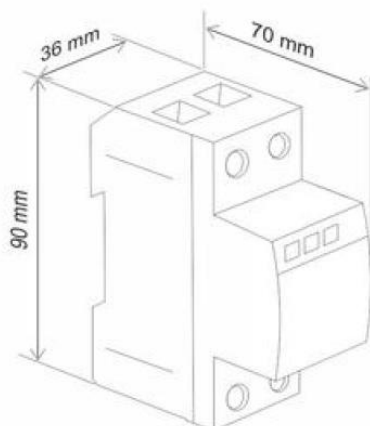


LIGHTNING & SURGE PROTECTION LSA 4P 15



Internal configuration

General Information

Internal configuration	1P
No. poles	1
No. DIN rail modules	2
Installation	(L-N)
Format	Monobloc
Certifications	CE
Designation according to EN 61643-11	Type 1 & 2
Designation according to IEC 61643-11	Class I & II
Insulating material & flammability class	PC+GF; V-0
Temperature range	-40°C ... +80°C

Technical Features

Supply Voltage	[V]	230 / 400
Nominal voltage AC 50-60 Hz (L-N)	U_N [V]	400
Maximum continuous operating voltage (L-N)	U_C [V]	440
Lightning impulse current (10/350) (L-N)	I_{imp} [kA]	15
Maximum discharge current (8/20) (L-N)	I_{max} [kA]	100
Nominal discharge current (8/20) (L-N)	I_n [kA]	30
Voltage protection level (L-N) at I_n	U_p [kV]	$\geq 1,9$
Maximum back-up fuse	A [gL]	80

LIGHTNING & SURGE PROTECTION LSA 4P 15



Short circuit withstand	I _{sccr} [kA]	25
Response time (L-N)	t _A [ns]	25
Remote indication		No
End of life indication		Yes
Dynamic thermal disconnection (L-N)		Yes

Wiring of connection circuit

Torgue	[Nm]	4
Rigid Flexible wire	[mm]	10
Min. rigid conductor section	[mm ²]	6
Max. rigid conductor section	[mm ²]	35
Flexible bare wire	[mm]	10
Min. flexible cable section	[mm ²]	6
Max. flexible conductor section	[mm ²]	25

Wiring Diagram(s)

